



# Light Module Eye

4 connections - medium beam

Emiliana Martinelli

colors



Typology Ceiling

Utilisation Indoor

230V 11 W 2225 lm



direct light

**EYE, PREPARED FOR 4 CONNECTION MODULES.**

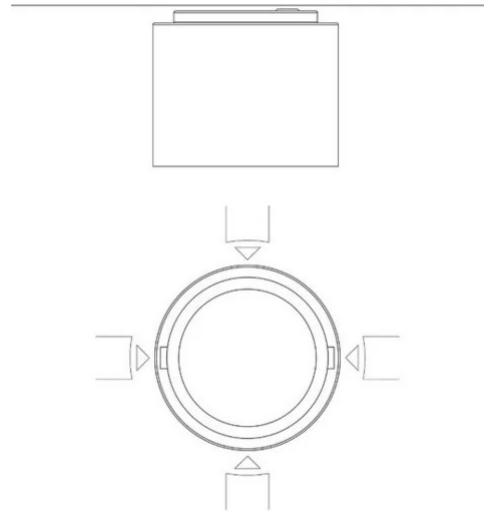
Eye is a ceiling lamp with direct/swivel light. Painted aluminium structure. LED light source integrated. Complete of electronic driver.



Family	Light module Eye
Typology	Ceiling
Utilisation	Indoor

### Dimensions

Height	11 cm
Diameter	16 cm
Power supply cable length	0 cm
Weight	1.6 Kg

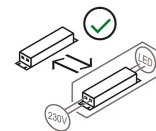
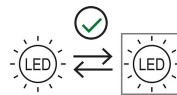


### Materials

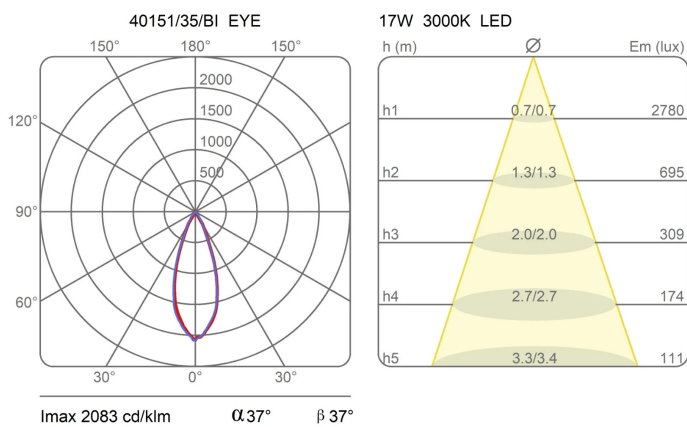
Structure	aluminium
-----------	-----------

Voltage	230V	Watt	11 W
Power unit	Included	Lumen	2225 lm
Mounting Power Supply	Indoor	CRI	>90
Power supply	Electronic power supply	CCT	3000 K
Non dimmable		Energy class	E

### Certifications



### Photometric curves





Colour variant code



40151/35/BI



White



40151/35/NE



Black



Accessories



**40156**  
Joint Eye



**40157**  
Joint Eye



**40155**  
Joint Eye

---